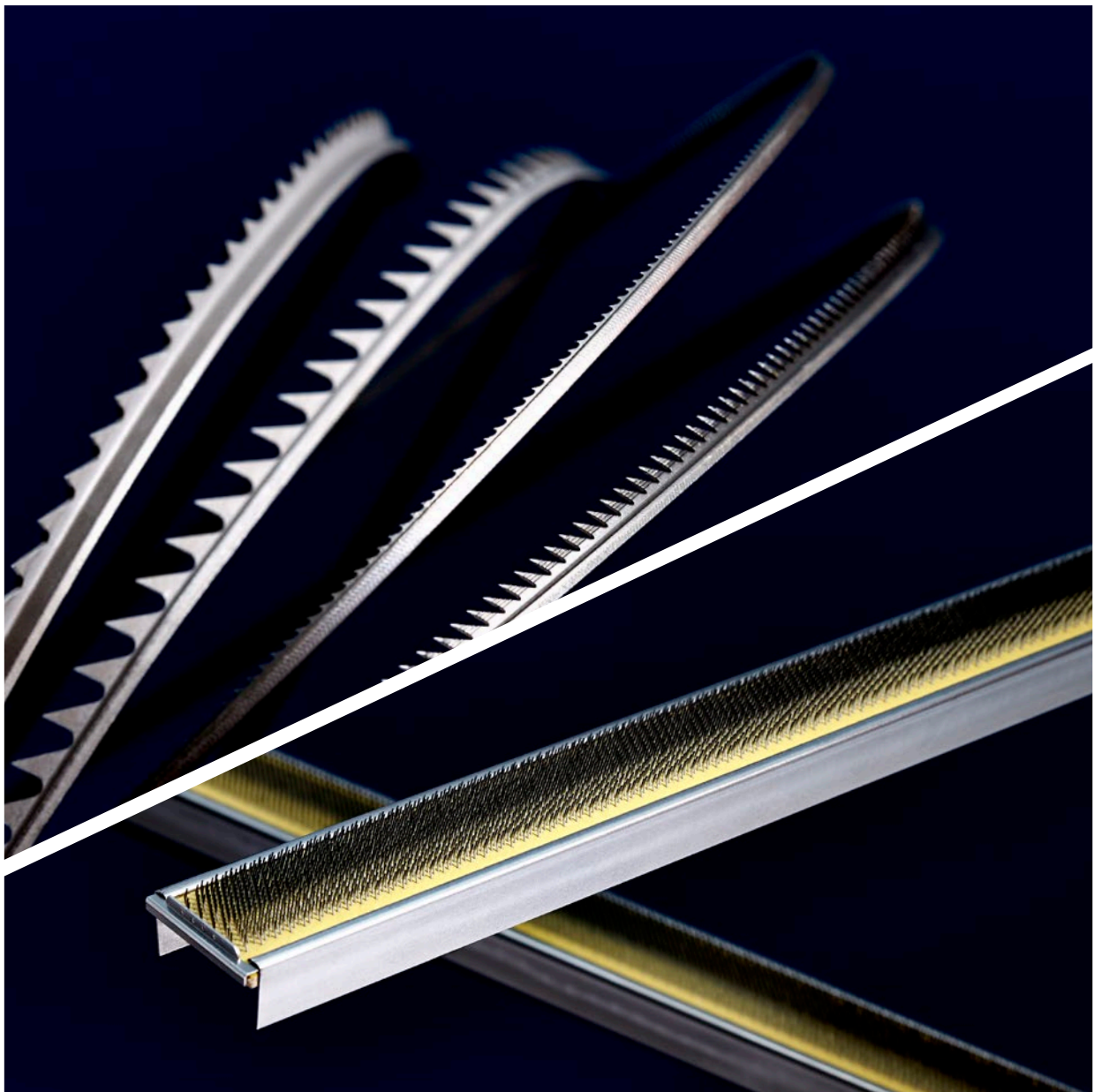


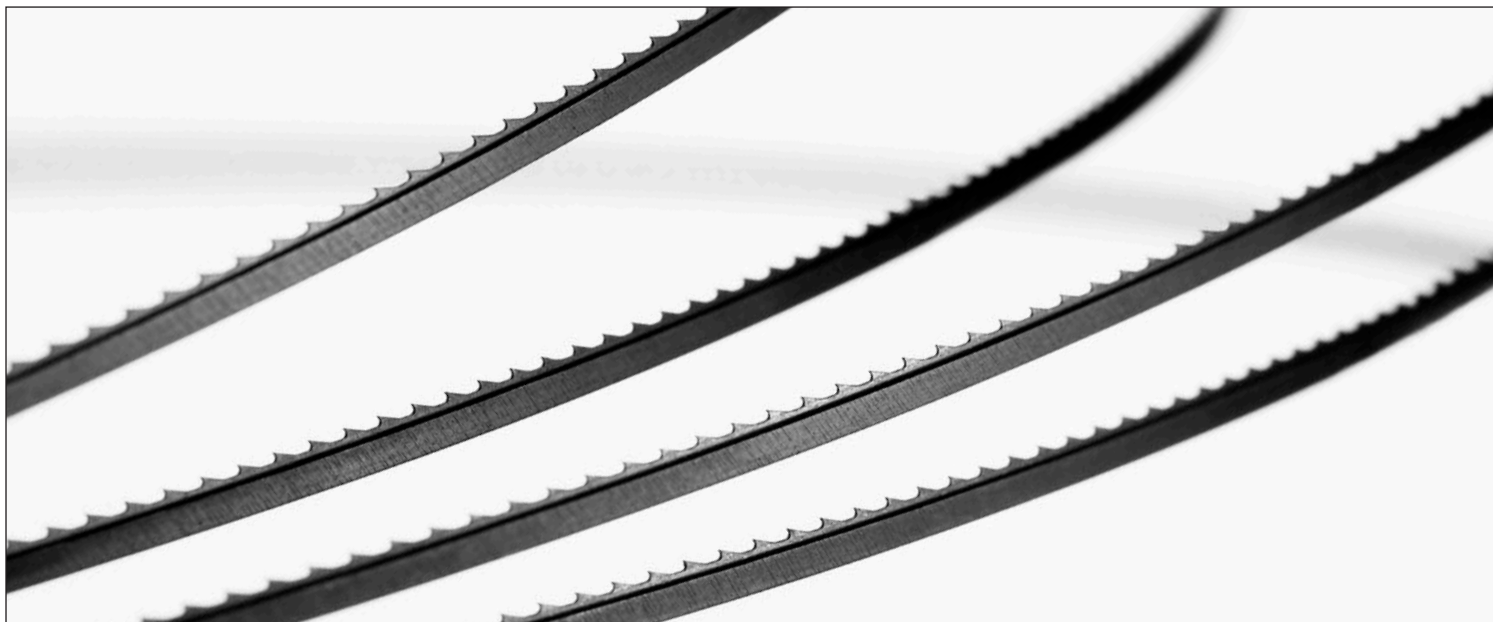
KANAI

METALLIC WIRE & FLAT TOP



Kanai Juyo Kogyo Co.,Ltd.

NS/ES Cylinder Wire



Characteristics

- "NS"&"ES" is high wear resistance metallic card clothing.
- Each grade have been given different optimum heat treatment to create the Martensite Structure, which enables higher wear resistance on the wire.
- "NS" made by the Special Alloy Steel that allows achievement of higher wear resistance comparing to "ES".
- "NS" と "ES" は耐摩耗性に優れたメタリックワイヤーです。
- それぞれに最適な熱処理を施すことで歯部に耐摩耗性に効果のある未溶解炭化物を析出させております。
- "NS" は高炭素合金を採用し、"ES" に勝る耐摩耗性を発揮します。

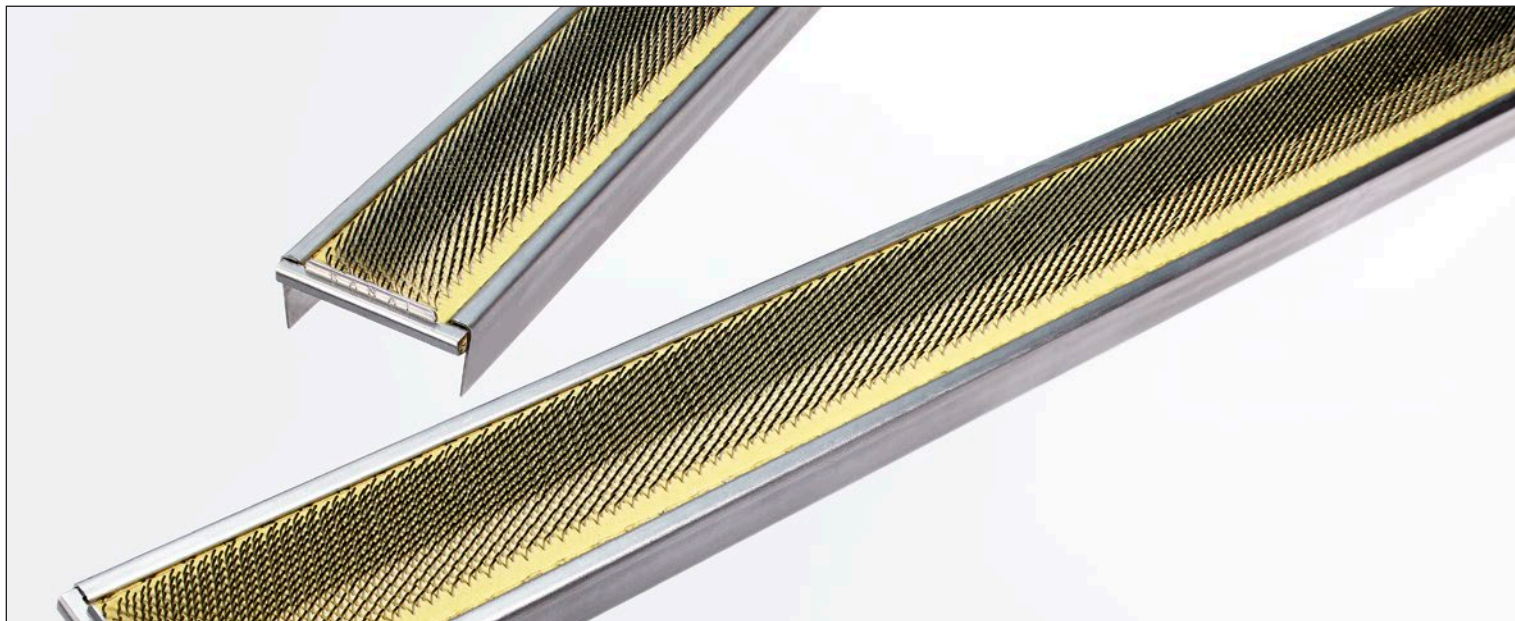
Type&Selection

| Product | NS | ES | Height | Base Width | Teeth/Inch | Angle | P.P.S.I. |
|----------|----|----|--------|------------|------------|-------|----------|
| CM46AH | | ○ | 3.0 | 1.00 | 18 | 77 | 460 |
| CM54-NPN | | ○ | 2.8 | 0.75 | 16 | 73 | 540 |
| CT61-P | | ○ | 2.8 | 0.75 | 18 | 80 | 610 |
| CC65-NPI | | ○ | 2.8 | 0.63 | 16 | 68 | 650 |
| CU66WKD | | ○ | 2.3 | 0.65 | 17 | 63 | 660 |
| CU72WKD | | ○ | 2.3 | 0.60 | 17 | 63 | 720 |
| CC73-NPI | | ○ | 2.8 | 0.63 | 18 | 68 | 730 |
| CC86XKA | ○ | ○ | 2.0 | 0.50 | 17 | 60 | 860 |
| CC86XKFF | ○ | ○ | 2.0 | 0.50 | 17 | 55 | 860 |
| CC96XKA | ○ | ○ | 2.0 | 0.40 | 15 | 60 | 960 |
| CC96XKFA | ○ | ○ | 2.0 | 0.40 | 15 | 50 | 960 |
| CC96XKFF | ○ | ○ | 2.0 | 0.40 | 15 | 55 | 960 |

"NS" : Life time of 1,300 tons, "ES" : Life time of 800~ 1,000 tons can be expected.(For cotton)
The above service life can be expected with combination of NANOTOP.

"NS" : 1300t, "ES" : 800~1000t の寿命が期待できます。(綿紡出の場合)
上記の耐用年数は NANOTOP との組み合わせでの年数となります。

NANOTOP®



Characteristics

- "NANOTOP" is the Flat Tops range, which has been developed for High production carding machines.
- Newly developed material and manufacturing process have been adopted to achieve higher resistance, which enables longer lifetime comparing to conventional Flat Tops.
- "NANOTOP" は高性能フラットカード用に最適化されたトップ針布です。
- 新開発の材料と製造方法を採用し、耐久性を高めたことで従来品に比べ大幅な寿命延長が期待できます。

Type & Selection

| Product | Characteristics | Available Height | Avialable PPSI |
|-----------|--|------------------|----------------|
| NVS | Mainly for Cotton. 2 step setting patern. | 8.0 | 450, 500 |
| NCS | Mainly for Cotton. Progressive seeting pattern. | 8.0 | 450, 500 |
| NJS / NJL | Mainly for Cotton. Uniformed setting pattern. | 8.0 / 9.0 | 450, 500, 550 |
| NTS / NTL | Mainly for Synthetics Fibres. Uniformed setting pattern. | 8.0 / 9.0 | 350, 400, 450 |

Cleaning Fillets for Main Carding Machines

■ Trutzschler

| Model | Product | Application |
|--|----------|------------------------|
| DK715,DK740, DK760,DK803, DK903,TC03 | SP-640 | Doffer cleaning fillet |
| | ST-30-9 | Flat cleaning fillet |
| | ST-32-10 | |

■ Trumac

| Model | Product | Application |
|-------------------------|----------|------------------------|
| DK740 DK780 DK800 | SP-640 | Doffer cleaning fillet |
| | ST-30-9 | Flat cleaning fillet |
| | ST-32-10 | |

■ Rieter

| Model | Product | Application |
|------------------------|---------|------------------------|
| C4,C4A,C10, C50,C51 | SP-640 | Doffer cleaning fillet |

■ Crosrol

| Model | Product | Application |
|----------------------|---------|------------------------|
| MK4,MK5, MK5D,MK6 | SP-665 | Doffer cleaning fillet |

ES-MR Doffer Wire



Characteristics

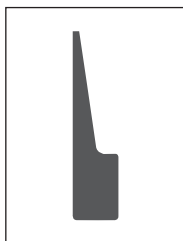
- The wire has surged ruggedness profile.
- This profile increases the power of holding fibre and prevents slippery fibres or high volume fibres being taken off from doffer roller.
- 歯の側面に波状の凹凸を設けたワイヤです。
- 繊維の把持力が向上するため、すべりやすい繊維やかさ高繊維の紡出における、ドッファーやワーカーからの剥がれ防止効果があります。

Type&Selection

| Product | Height | Base Width | Teeth/Inch | Angle | P.P.S.I |
|---------|--------|------------|------------|-------|---------|
| DU34DH | 4.0 | 0.90 | 12 | 60 | 340 |
| DU34IH | 5.0 | 0.90 | 12 | 60 | 340 |
| DU39-0 | 4.0 | 0.85 | 13 | 60 | 390 |
| DU39-5 | 4.0 | 0.85 | 13 | 65 | 390 |
| DU54GH | 4.5 | 0.75 | 16 | 65 | 540 |

ES Taker-In Wire

▶ Groove

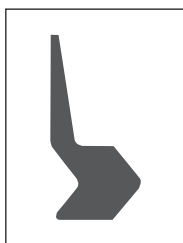


| Product | Height | Base Width | Teeth/Inch | Angle |
|----------|--------|------------|------------|-------|
| TM40KH01 | 5.6 | 1.0~1.3 | 4 | 90 |
| TM45KH | 5.6 | 1.0~1.3 | 4.5 | 85 |
| TC50KH | 5.6 | 1.0~1.3 | 5 | 80 |
| TC60KH | 5.6 | 1.0~1.3 | 6 | 75 |

Base Width : 1.1mm standard width. (Above 1.0mm~Below 1.3mm)

Base Width : 1.1mm は標準幅となります。(適用範囲は 1.0mm~1.3mm までとなっています)

▶ Interlock



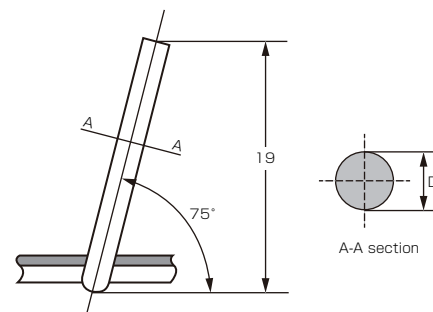
| Product | Height | Base Width | Teeth/Inch | Angle |
|---------|--------|------------|------------|-------|
| C75MR01 | 5.0 | 3.2 | 4 | 90 |
| C40QR01 | 5.0 | 3.2 | 4.5 | 85 |
| C41MR04 | 5.0 | 3.2 | 5 | 80 |
| C38ER01 | 5.0 | 2.1 | 9.5 | 80 |
| C01CR02 | 5.0 | 1.6 | 10 | 70 |
| C99CR01 | 5.0 | 1.6 | 13 | 70 |

Auxiliary Fillets

Burnishing Fillets

- Use: This is used to burnish metallic wire.
- Selection: Select -suitablel burnishing clothing according to the type of metallic wire.
- 用途: メタリックワイヤを磨針後の歯先のカエリを取り除くために使用します。
- 選定: メタリックワイヤの歯先の厚みに応じて選定してください。通常 BU-32 が適用されています。

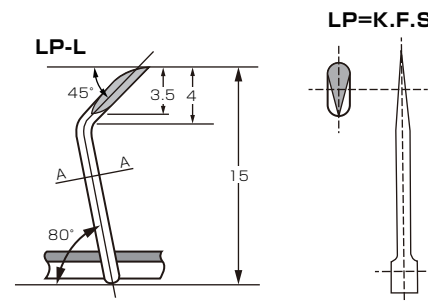
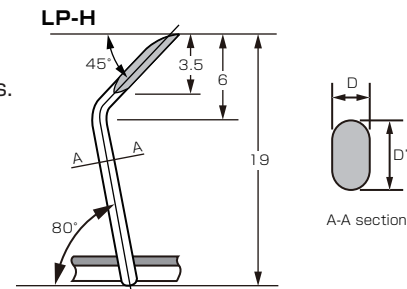
| Foundation | Width of foundation | Length (φ5 1/2" × W40") | | |
|------------|---------------------|-------------------------|---------------------------------|----------------------------|
| N3 | 39mm | 13m | | |
| Type | Wire No. | Wire diameter D(mm) | Setting | Points/(inch) ² |
| BU-26 | 26 | 0.480 | 6 ^T × 4 ^L | 110 |
| BU-28 | 28 | 0.405 | | 125 |
| BU-30 | 30 | 0.355 | | 155 |
| BU-32 | 32 | 0.305 | | 155 |
| BU-34 | 34 | 0.255 | | 185 |



LP-H, LP-L Stripping Fillets

- Use: Removal of nep and leaf waste sticking to the teeth of metallic wire.
- Selection: Select a suitable type (height) according to the position of stripping bracket.
- Feature: Needles can be sharpened by the KFS finishing, improving the stripping effects.
- 用途: メタリックワイヤの歯のすき間に詰まったネップやハカスを取り除くために使用します。
- 選定: ストリッピングブラケットの位置に応じて、針高を選定してください。
- 特徴: KFS 加工を施し針先を鋭く加工し、ストリッピング効果を向上できます。

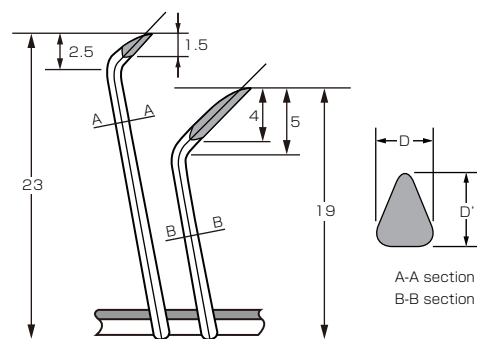
| Foundation | Width of foundation | Length (φ5 1/2" × W40") | | |
|------------|---------------------|-------------------------|---------------------------------|----------------------------|
| N3 | 39mm | 13m | | |
| Type | Wire No. | Wire diameter D(mm) | Setting | Points/(inch) ² |
| LP-H | 27/30 | 0.430/0.355 | 3 ^R × 5 ^R | 50 |
| LP-L | | | | |



HL Stripping Fillets

- Use: Removal of flat strips sticking to the needles of tops.
- Feature: Long needles loosen flat strips out of the tops bottom, and short needles remove loosened flat strips, ensuring high efficiency cleaning.
- 用途: トップ針布の針の間に詰まった罌綿を取り除くために使用します。
- 特徴: 長針で針布の底から罌綿を引き上げ、短針ではぎ取り、効率よく掃除を行います。

| Foundation | Width of foundation | Length (φ5 1/2" × W40") | | |
|--------------|---------------------|-------------------------|---------------------------------|----------------------------|
| N3 | 39mm | 13m | | |
| Type | Wire No. | Wire diameter D(mm) | Setting | Points/(inch) ² |
| H-L | 28/32 | 0.405/0.305 | 3 ^R × 5 ^R | 90 |
| long needle | | | | |
| short needle | | | | |



Application

| Production | | Cotton | | | Synthetics | | |
|-------------|-------------------------|------------------|----------------|----------------|------------------|-------------|----------|
| | | <Ne40(Carded&OE) | <Ne40(Combed) | >Ne50(Combed) | <1.0dtex | 1.2-2.0dtex | >2.0dtex |
| 15-40kgs/hr | Cylinder | CC86XKA | CC86XKA | CC96XKA | CU66WKD/CU72WKD | | |
| | Doffer ^{*1} | DU34DH/DU34IH | DU34DH/DU34IH | DU34DH/DU34IH | DU34DH/DU34IH | | |
| | Licker-in ^{*2} | TC50KH/C41MR04 | TC50KH/C41MR04 | TC50KH/C41MR04 | TM40KH01/C75MR01 | | |
| | Tops | NJS-500 | NJS-500 | NJS-500 | NTS-400 | | |
| >40kgs/hr | Cylinder | CC96XKFA | CC96XKFA | CC96XKA | CU66WKD/CU72WKD | | |
| | Doffer ^{*1} | DU34DH/DU34IH | DU34DH/DU34IH | DU34DH/DU34IH | DU34DH/DU34IH | | |
| | Licker-in | C41MR04 | C41MR04 | C41MR04 | C75MR01 | | |
| | Tops | NVS-500 | NVS-500 | NVS-500 | NTS-400 | | |

- Remark 1. DU34IH is used for the combination of Cylinder 50" /Doffer20"
 2. Interlock type taker-in wire. TC50KH → C41MR04, TM40KH01 → C75MR01
 3. C01CR02-ES and C99CR01-ES are applicable for 3 Taker-In roller System.



金井重要工業株式会社

664-0025 兵庫県伊丹市奥畑 4 丁目 1 番地
 tel. 072-764-6617(代) fax. 072-764-6598

Kanai Juyo Kogyo Co.,Ltd.

4-1 OKUHATA ITAMI HYOGO 664-0025 JAPAN
 Phone. +81-72-764-6617 Fax. +81-72-764-6598
 E-mail. s-sales@kanaijuyo.co.jp URL. <http://www.kanaijuyo.co.jp/>

Contact our following agent.